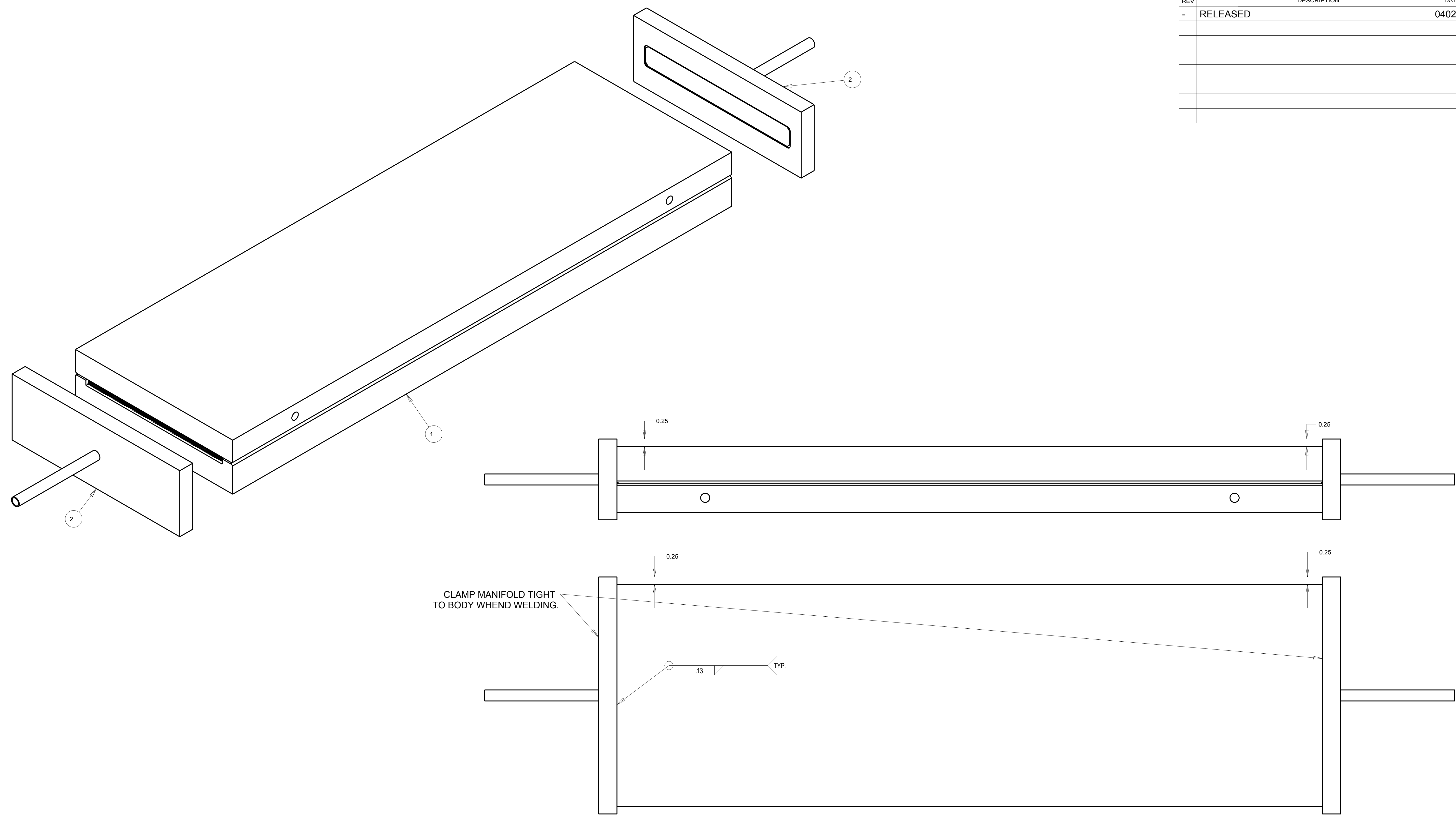


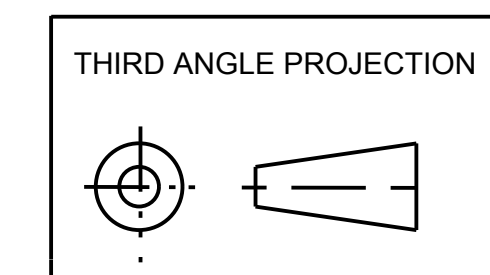
REVISIONS		
REV	DESCRIPTION	DATE
-	RELEASED	040215



QTY.	ITEM NO.	PART OR IDENTIFYING NO.	DESCRIPTION	MATERIAL SPECIFICATION
2	2	1006312	FTR WAVEFORM (WELDED) LOAD TEST MANIFOLD WELD	
1	1	1006310	FTR WAVEFORM (WELDED) LOAD TEST ASM	

**BILL OF MATERIALS**

BACKGROUND TECHNOLOGY



DIMENSIONS ARE IN INCHES  
DUAL DIMENSIONING IS NOTED AS:  
INCH [MM] OR INCH [MM]

TOLERANCES ARE:  
DECIMALS  
.X ± .03 [ .76]  
.XX ± .01 [ .25]  
.XXX ± .004 [ .101]

ANGLES  
± 0.5°

DO NOT SCALE DRAWING

**VELOCYS** 7950 Corporate Blvd.  
Plain City, Ohio 43064

TITLE: **FTR WAVEFORM (WELDED) TEST DEVICE MAN WELD**

SIZE: **D** DWG. NO: 1006313

SCALE: 0.625 SHEET: 1 OF 1

**CONFIDENTIAL INFORMATION OF VELOCYS, INC.**

DETAIL DESIGNER  
DATE: Apr-01-15